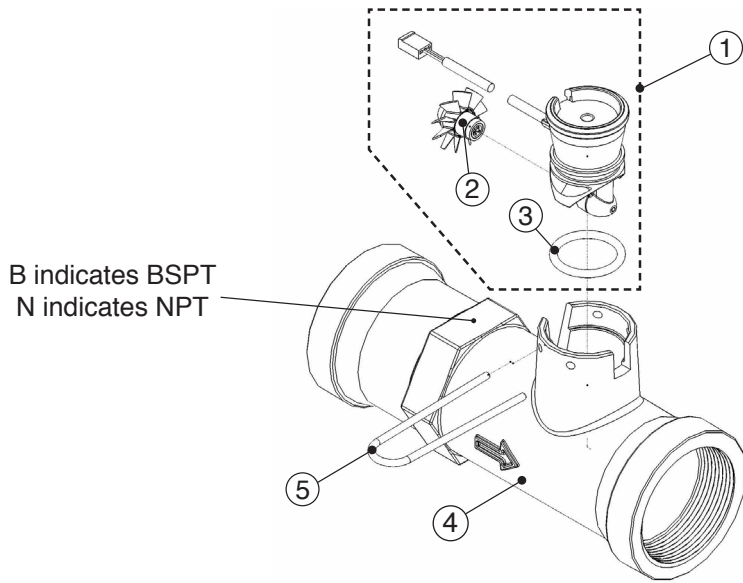
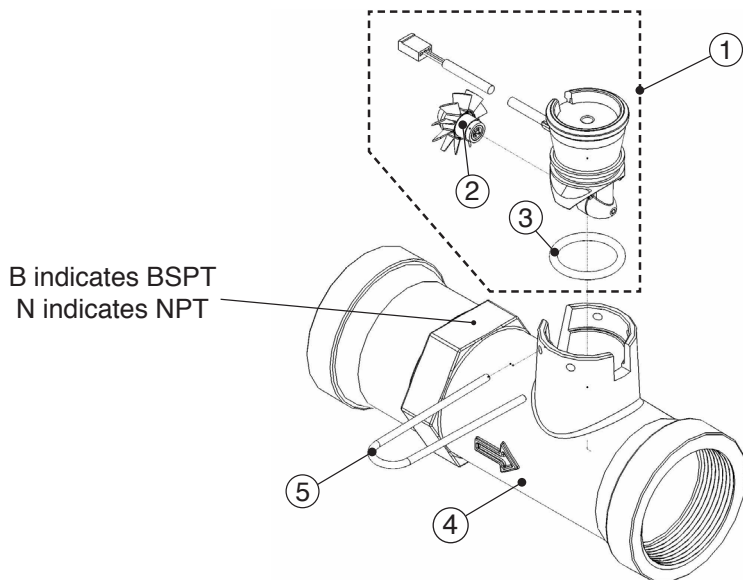


V3050 WS2 2" Meter NPT Assembly and V3050BSPT WS2 2" Meter BSPT Assembly



| Drawing No. | Order No. | Description | Quantity |
|-------------|--------------|--|----------|
| 1 | V3221 | WS Remote Meter Asy 15 Ft Cord (includes V3118-01 and V3105) | 1 |
| 2 | V3118-01 | WS1 Turbine Asy | 1 |
| 3 | V3105 | O-Ring 215 | 1 |
| 4 | V3222-01 | WS2 Meter NPT Housing | 1 |
| | V3222BSPT-01 | WS2 Meter BSPT Housing | |
| 5 | V3223 | WS2 Meter Clip | 1 |
| Not Shown | V3488 | WS2 Flow Straightener (located inside meter housing) | 1 |

V3050 WS2 2" Meter NPT Assembly and V3050BSPT WS2 2" Meter BSPT Assembly



| Drawing No. | Order No. | Description | Quantity |
|-------------|--------------|--|----------|
| 1 | V3221 | WS Remote Meter Asy 15 Ft Cord (includes V3118-01 and V3105) | 1 |
| 2 | V3118-01 | WS1 Turbine Asy | 1 |
| 3 | V3105 | O-Ring 215 | 1 |
| 4 | V3222-01 | WS2 Meter NPT Housing | 1 |
| | V3222BSPT-01 | WS2 Meter BSPT Housing | |
| 5 | V3223 | WS2 Meter Clip | 1 |
| Not Shown | V3488 | WS2 Flow Straightener (located inside meter housing) | 1 |

Installation

Installation of the V3050 WS2 Meter NPT Assembly can be accomplished with 2" NPT pipe or by using a 2½" groove lock coupling. For V3050BSPT WS2 Meter BSPT Assembly use 63mm pipe. When installing the WS2 Meter Assembly it is necessary that the meter be installed in a horizontal position.

WHEN INSTALLING THE METER, MAKE SURE THE ARROW ON THE METER BODY IS GOING THE SAME DIRECTION AS THE WATER FLOW.

THIS WATER METER SHOULD NOT BE USED AS THE PRIMARY MONITORING DEVICE FOR CRITICAL HEALTH EFFECT APPLICATIONS.

The 22 gauge wire crimp terminals are Molex Series 41572 or 40445. The housing connector is Molex Series 2695 White Housing, P/N 22-01-3037.

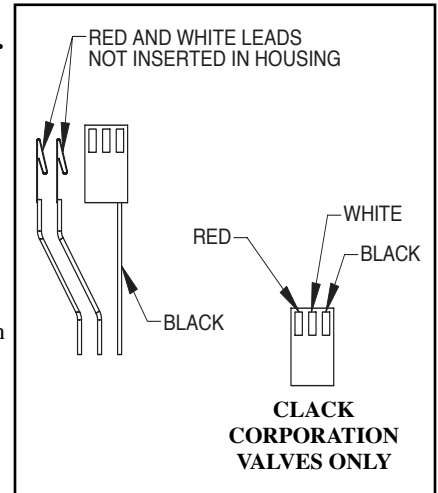
The housing connector diagram shows the proper installation of the RED, WHITE and BLACK wires for CLACK CORPORATION CONTROL VALVES. When connecting to other manufacturers control valves please contact your original equipment manufacturer for proper wiring instructions.

Wiring:

- The meter must be supplied with a DC voltage between 4 and 24 volts
- The RED wire is positive
- The BLACK wire is negative
- The WHITE wire is the meter output

Calibration:

- For WS2L valves select 2.0 if valve software records in gallons and 50 if valve software records in cubic meters.
- The calibration factor for the WS2 Meter Assembly is 20 pulses per gallon when used on applications other than WS2L valves.
- The meter flow range is 1.5-150 gpm \pm 5% (output signal 0.4 Hz to 47.5 Hz). NOTE: Not all flow monitors will register accurately at either the low or high flow range of this meter. Contact your flow monitor manufacturer for limitations.
- Pressure drop at 150 gpm is 1 PSI



Form No. V3215-01 • Updated 8/7/06

Installation

Installation of the V3050 WS2 Meter NPT Assembly can be accomplished with 2" NPT pipe or by using a 2½" groove lock coupling. For V3050BSPT WS2 Meter BSPT Assembly use 63mm pipe. When installing the WS2 Meter Assembly it is necessary that the meter be installed in a horizontal position.

WHEN INSTALLING THE METER, MAKE SURE THE ARROW ON THE METER BODY IS GOING THE SAME DIRECTION AS THE WATER FLOW.

THIS WATER METER SHOULD NOT BE USED AS THE PRIMARY MONITORING DEVICE FOR CRITICAL HEALTH EFFECT APPLICATIONS.

The 22 gauge wire crimp terminals are Molex Series 41572 or 40445. The housing connector is Molex Series 2695 White Housing, P/N 22-01-3037.

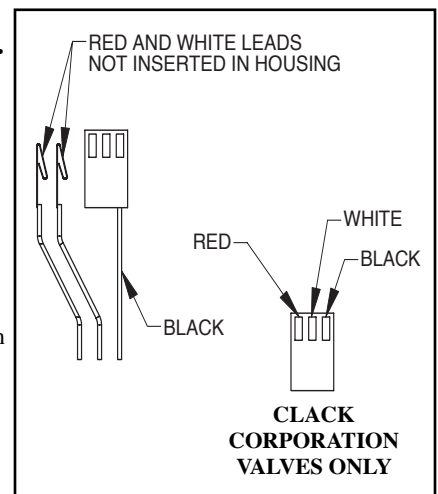
The housing connector diagram shows the proper installation of the RED, WHITE and BLACK wires for CLACK CORPORATION CONTROL VALVES. When connecting to other manufacturers control valves please contact your original equipment manufacturer for proper wiring instructions.

Wiring:

- The meter must be supplied with a DC voltage between 4 and 24 volts
- The RED wire is positive
- The BLACK wire is negative
- The WHITE wire is the meter output

Calibration:

- For WS2L valves select 2.0 if valve software records in gallons and 50 if valve software records in cubic meters.
- The calibration factor for the WS2 Meter Assembly is 20 pulses per gallon when used on applications other than WS2L valves.
- The meter flow range is 1.5-150 gpm \pm 5% (output signal 0.4 Hz to 47.5 Hz). NOTE: Not all flow monitors will register accurately at either the low or high flow range of this meter. Contact your flow monitor manufacturer for limitations.
- Pressure drop at 150 gpm is 1 PSI



Form No. V3215-01 • Updated 8/7/06