

Order No.: **V3009**

Description: **WS1 Auxiliary Microswitch Assembly**

| Drawing No. | Order No. | Description | Quantity |
|-------------|-----------|------------------------------|----------|
| 1 | V3301 | WS1 MICROSWITCH | 1 |
| 2 | V3302 | WS1 MOLEX CONNECTOR | 1 |
| Not Shown | V3303 | WS1 MOLEX TERMINAL | 3 |
| 3 | V3304 | WS1 SCREWS 4/40 X 3/4 | 2 |
| 4 | V3305 | WS1 RETAINING RING SS 1/4 | 1 |
| 5 | V3306 | WS1 WASHER ID 0.257 OD 0.640 | 1 |

Slip the washer and retaining ring on to the end of the piston rod. Attach the microswitch to the drive bracket using the screws. Attach the connector to the microswitch. Attach the terminals to wires and connect.

Form #: V3115-11 Revised: 9/28/05

Order No.: **V3009**

Description: **WS1 Auxiliary Microswitch Assembly**

| Drawing No. | Order No. | Description | Quantity |
|-------------|-----------|------------------------------|----------|
| 1 | V3301 | WS1 MICROSWITCH | 1 |
| 2 | V3302 | WS1 MOLEX CONNECTOR | 1 |
| Not Shown | V3303 | WS1 MOLEX TERMINAL | 3 |
| 3 | V3304 | WS1 SCREWS 4/40 X 3/4 | 2 |
| 4 | V3305 | WS1 RETAINING RING SS 1/4 | 1 |
| 5 | V3306 | WS1 WASHER ID 0.257 OD 0.640 | 1 |

Slip the washer and retaining ring on to the end of the piston rod. Attach the microswitch to the drive bracket using the screws. Attach the connector to the microswitch. Attach the terminals to wires and connect.

Form #: V3115-11 Revised: 9/28/05

Order No.: **V3009**

Description: **WS1 Auxiliary Microswitch Assembly**

| Drawing No. | Order No. | Description | Quantity |
|-------------|-----------|------------------------------|----------|
| 1 | V3301 | WS1 MICROSWITCH | 1 |
| 2 | V3302 | WS1 MOLEX CONNECTOR | 1 |
| Not Shown | V3303 | WS1 MOLEX TERMINAL | 3 |
| 3 | V3304 | WS1 SCREWS 4/40 X 3/4 | 2 |
| 4 | V3305 | WS1 RETAINING RING SS 1/4 | 1 |
| 5 | V3306 | WS1 WASHER ID 0.257 OD 0.640 | 1 |

Slip the washer and retaining ring on to the end of the piston rod. Attach the microswitch to the drive bracket using the screws. Attach the connector to the microswitch. Attach the terminals to wires and connect.

Form #: V3115-11 Revised: 9/28/05

Order No.: **V3009**

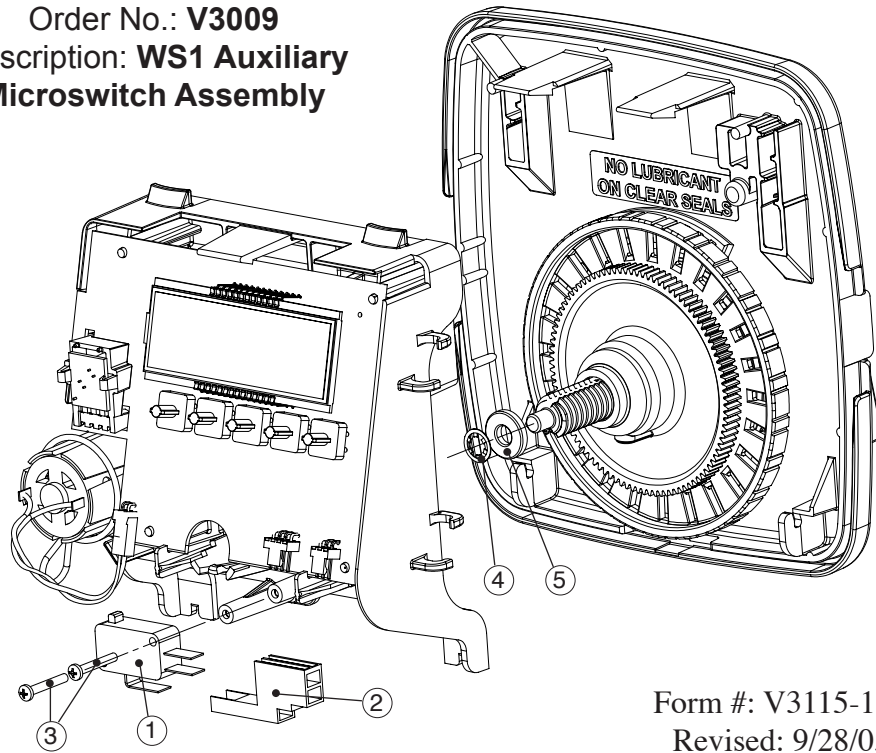
Description: **WS1 Auxiliary Microswitch Assembly**

| Drawing No. | Order No. | Description | Quantity |
|-------------|-----------|------------------------------|----------|
| 1 | V3301 | WS1 MICROSWITCH | 1 |
| 2 | V3302 | WS1 MOLEX CONNECTOR | 1 |
| Not Shown | V3303 | WS1 MOLEX TERMINAL | 3 |
| 3 | V3304 | WS1 SCREWS 4/40 X 3/4 | 2 |
| 4 | V3305 | WS1 RETAINING RING SS 1/4 | 1 |
| 5 | V3306 | WS1 WASHER ID 0.257 OD 0.640 | 1 |

Slip the washer and retaining ring on to the end of the piston rod. Attach the microswitch to the drive bracket using the screws. Attach the connector to the microswitch. Attach the terminals to wires and connect.

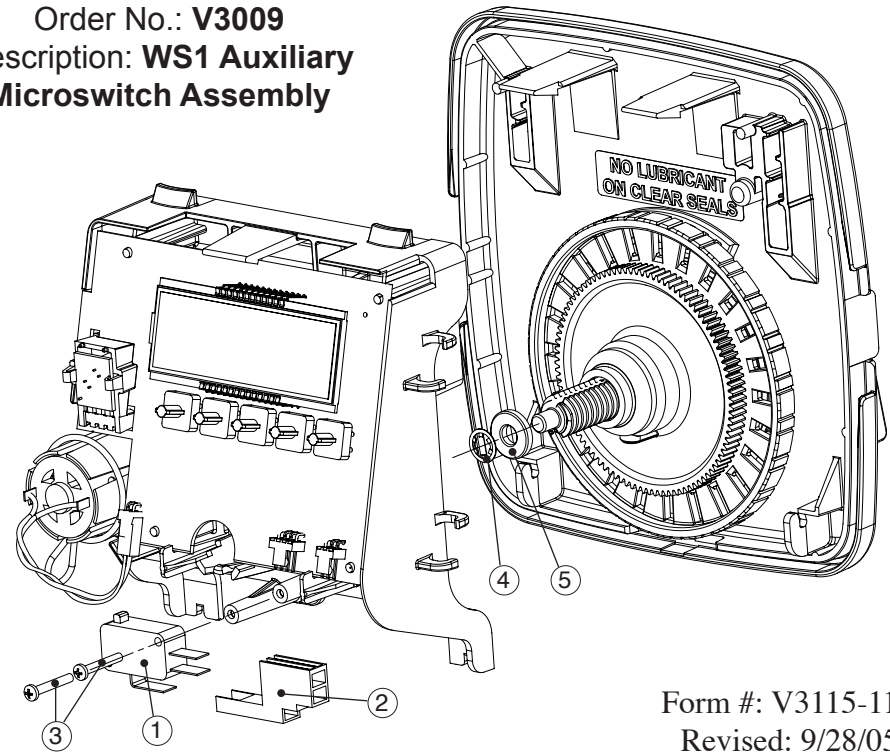
Form #: V3115-11 Revised: 9/28/05

Order No.: **V3009**
Description: **WS1 Auxiliary
Microswitch Assembly**



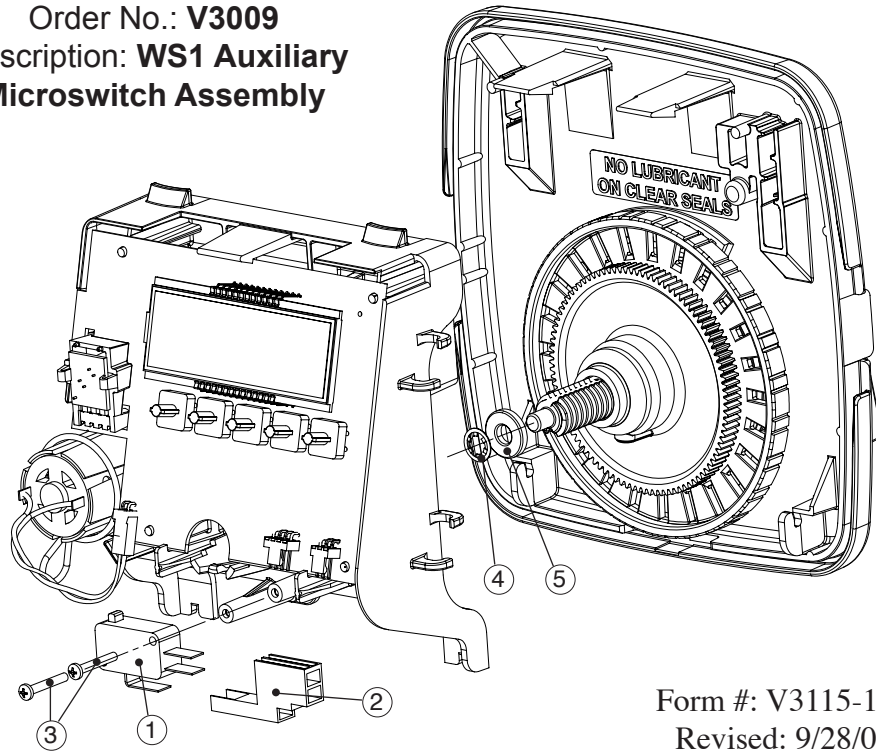
Form #: V3115-11
Revised: 9/28/05

Order No.: **V3009**
Description: **WS1 Auxiliary
Microswitch Assembly**



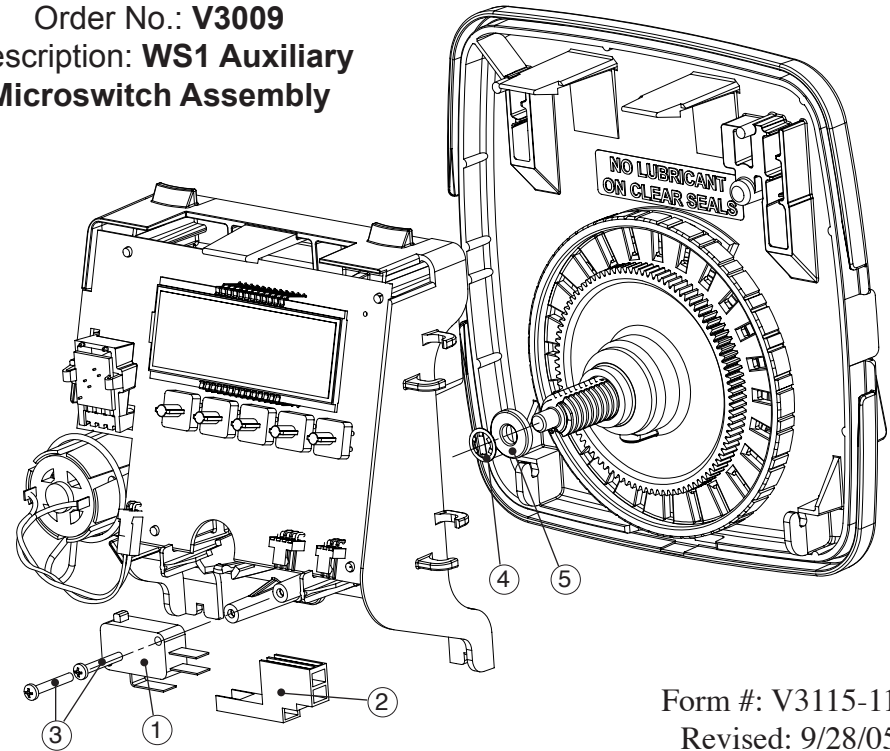
Form #: V3115-11
Revised: 9/28/05

Order No.: **V3009**
Description: **WS1 Auxiliary
Microswitch Assembly**



Form #: V3115-11
Revised: 9/28/05

Order No.: **V3009**
Description: **WS1 Auxiliary
Microswitch Assembly**



Form #: V3115-11
Revised: 9/28/05